



ADR - APPLICATION AND MOUNTING INSTRUCTIONS
ADR 74/00 SIDE MARKER LAMP
ADR 45/01 SIDE MARKER LAMP (Pre 18/11/2017 Compliance Date)

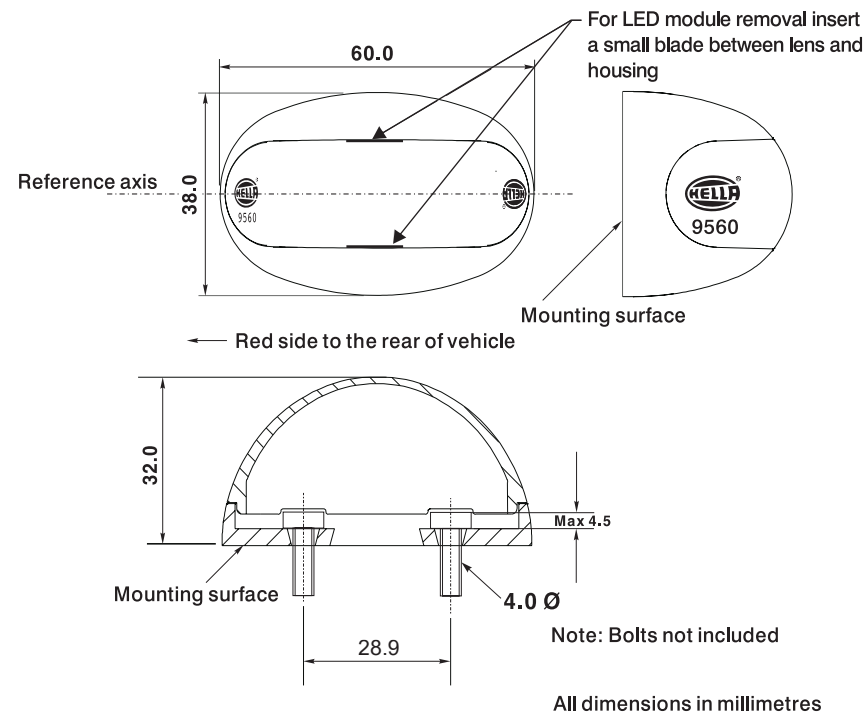
DuraLED® SIDE MARKER LAMP

Lens Marking and ADR 13/00 Installation Requirements

This Side Marker Lamp, identified by lens marking 9560 and the logo was manufactured to comply with ADR 74/00 & ADR 45/01 Side Marker Lamps.

- A tolerance of +/-3 degrees applies on all mounting details.
- Lamp mounting surface must be vertical to the ground and be parallel to the vehicle longitudinal axis.
- Lamp reference axis must be horizontal, with the lamp's red side facing rearward.
(Note logo with the text "9560" is on the red side - see diagram below)
- Lamp must be visible between:
 - Horizontal angle: From 5° out to 85° out at the front and at the rear
 - Vertical angle: 10° above and below the horizontal

Note: Please refer to ADR 13/00 for more details.



LED Module Instructions

To remove the LED module hold the housing near the base and push firmly on the back of the module.
Note: The LED module is fully sealed and has no serviceable components.

The LED module is securely fastened to prevent dislodging in service, and removal would not normally be required. If it becomes necessary to remove the module, insert a small blade on both sides of the LED module and the housing at the correct position and prise the module free from the housing (See diagram above).

Lamp Mounting Instructions

4mm Ø bolts are recommended with a maximum head height of 4.5mm (not included).

PART NUMBER	CTA NUMBER	ADR 51/00 GLOBE	LENS IDENTIFICATION NO.
2053 2PS 959 660-xxx 959.660-xxx	CTA-24743	N/A LED	9560

HELLA-New Zealand Limited, Auckland



ADR - APPLICATION AND MOUNTING INSTRUCTIONS
ADR 74/00 SIDE MARKER LAMP
ADR 45/01 SIDE MARKER LAMP (Pre 18/11/2017 Compliance Date)

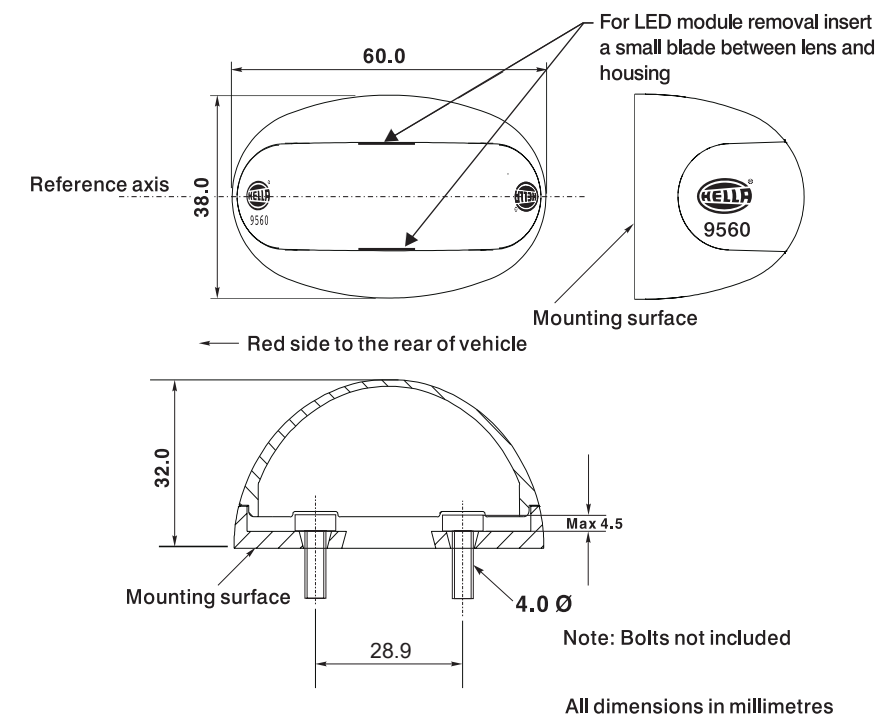
DuraLED® SIDE MARKER LAMP

Lens Marking and ADR 13/00 Installation Requirements

This Side Marker Lamp, identified by lens marking 9560 and the logo was manufactured to comply with ADR 74/00 & ADR 45/01 Side Marker Lamps.

- A tolerance of +/-3 degrees applies on all mounting details.
- Lamp mounting surface must be vertical to the ground and be parallel to the vehicle longitudinal axis.
- Lamp reference axis must be horizontal, with the lamp's red side facing rearward.
(Note logo with the text "9560" is on the red side - see diagram below)
- Lamp must be visible between:
 - Horizontal angle: From 5° out to 85° out at the front and at the rear
 - Vertical angle: 10° above and below the horizontal

Note: Please refer to ADR 13/00 for more details.



LED Module Instructions

To remove the LED module hold the housing near the base and push firmly on the back of the module.
Note: The LED module is fully sealed and has no serviceable components.

The LED module is securely fastened to prevent dislodging in service, and removal would not normally be required. If it becomes necessary to remove the module, insert a small blade on both sides of the LED module and the housing at the correct position and prise the module free from the housing (See diagram above).

Lamp Mounting Instructions

4mm Ø bolts are recommended with a maximum head height of 4.5mm (not included).

PART NUMBER	CTA NUMBER	ADR 51/00 GLOBE	LENS IDENTIFICATION NO.
2053 2PS 959 660-xxx 959.660-xxx	CTA-24743	N/A LED	9560

HELLA-New Zealand Limited, Auckland

INSTRUCTION SHEET
for: **2PS 959 660-xxx / 2053**



New installations

Ensure the lamp is mounted on a flat surface. The housing may be used as a template for the mounting holes. Do not mount the lamp where damage is likely to be sustained due to tie-downs and other securing devices. Drill two mounting holes up to 4.5mm Ø 28.9mm apart and mount the housing. Drill cable entry hole in the centre of the mounting holes at a recommended size of 6mm to 8mm Ø and ensure the hole has no sharp edges to chafe the cable. Push the cable through the hole and connect the wiring (see wiring instructions). The red side of the LED is the same side as the HELLA logo with the text "9560", or check by operating the lamp. Push the LED module firmly into the housing until it snaps into position.

Wiring Colour Coding

The **DuraLED®** marker range is multi voltage capable allowing full light output between 8 and 28 volts. LED modules are polarity conscious. Reverse polarity will not damage this product but will inhibit its function. HELLA recommends wire connections be soldered, and heat shrink tubing applied to seal the joint.

Colour	Connect to	Power Consumption
Black	Earth (-)	-
Red	Positive(+)	0.4 watts @ 12 volts 0.8 watts @ 24 volts

NB: Lamp must be protected by a fuse rated at 2 amperes maximum.

Energy saving recommendation for 24 volt systems

To derive the full benefit of the low power consumption (0.4 watts) HELLA recommends to wire pairs of **DuraLED®** marker lamps in series.

Compatibility to existing electrical systems

It is important for the installer to ascertain the compatibility of the low power consumption LED lamps with the electrical and/or electronic systems of the complete vehicle, including trailers. In most cases the reduced power consumption is beneficial by imposing less demands on the entire electrical system.

For certain functions some electrical systems rely on a set power consumption for monitoring whether, for example, a trailer is connected.

Operation of this lamp using alternating current or modulated direct voltage will cause premature light failure. HELLA recommends connecting ADR or ECE certified Multivolt LED signal and marker lamps to a continuous (unmodulated) 12V or 24V power supply to ensure safe light operation.

Warranty Statement

Congratulations! The product you have selected comes from HELLA - one of the world's leading manufacturers of lighting products. The product comes with a Lifetime Warranty covering faults in materials, components or workmanship.

In the unlikely event that you should experience a confirmed warranty related problem with your purchase, HELLA will, at its discretion, either repair or replace the product or refund the purchase price.

Warranty services may be obtained by returning the product within the warranty period to the HELLA Dealer where the product was originally purchased. This warranty is in addition to and does not preclude any other rights or remedies available to the consumer under any local legislation related to the provision of goods or services.

Our goods come with guarantees that cannot be excluded under the Australian Consumer Law. You are entitled to a replacement or refund for a major failure and for compensation for any other reasonably foreseeable loss or damage. You are also entitled to have the goods repaired or replaced if the goods fail to be of acceptable quality and the failure does not amount to a major failure.

Lifetime means the economic life of the vehicle these products were first installed on.

This warranty does not cover:

- 1.) Claim/s as a result of normal wear and tear or of any modifications, alterations non-compliance of assembly, service and operating instructions and/or any unfit or improper use.
- 2.) Any expenses incurred in the process of making the claim.

Note: For lamps sold in Australia, warranty services are provided by Hella Australia Pty Ltd., 4 Hargrave Place, Mentone, Victoria, 3194 Australia.
Customer Service 1800 061 729 email: custservice@hella.com https://www.hella.com/hella-au/assets/media_global/IAM_Statement_of_Warranty.pdf

For general comments about HELLA's products please contact us on E-mail at: techfeedback@hella.co.nz

INSTRUCTION SHEET
for: **2PS 959 660-xxx / 2053**



New installations

Ensure the lamp is mounted on a flat surface. The housing may be used as a template for the mounting holes. Do not mount the lamp where damage is likely to be sustained due to tie-downs and other securing devices. Drill two mounting holes up to 4.5mm Ø 28.9mm apart and mount the housing. Drill cable entry hole in the centre of the mounting holes at a recommended size of 6mm to 8mm Ø and ensure the hole has no sharp edges to chafe the cable. Push the cable through the hole and connect the wiring (see wiring instructions). The red side of the LED is the same side as the HELLA logo with the text "9560", or check by operating the lamp. Push the LED module firmly into the housing until it snaps into position.

Wiring Colour Coding

The **DuraLED®** marker range is multi voltage capable allowing full light output between 8 and 28 volts. LED modules are polarity conscious. Reverse polarity will not damage this product but will inhibit its function. HELLA recommends wire connections be soldered, and heat shrink tubing applied to seal the joint.

Colour	Connect to	Power Consumption
Black	Earth (-)	-
Red	Positive(+)	0.4 watts @ 12 volts 0.8 watts @ 24 volts

NB: Lamp must be protected by a fuse rated at 2 amperes maximum.

Energy saving recommendation for 24 volt systems

To derive the full benefit of the low power consumption (0.4 watts) HELLA recommends to wire pairs of **DuraLED®** marker lamps in series.

Compatibility to existing electrical systems

It is important for the installer to ascertain the compatibility of the low power consumption LED lamps with the electrical and/or electronic systems of the complete vehicle, including trailers. In most cases the reduced power consumption is beneficial by imposing less demands on the entire electrical system.

For certain functions some electrical systems rely on a set power consumption for monitoring whether, for example, a trailer is connected.

Operation of this lamp using alternating current or modulated direct voltage will cause premature light failure. HELLA recommends connecting ADR or ECE certified Multivolt LED signal and marker lamps to a continuous (unmodulated) 12V or 24V power supply to ensure safe light operation.

Warranty Statement

Congratulations! The product you have selected comes from HELLA - one of the world's leading manufacturers of lighting products. The product comes with a Lifetime Warranty covering faults in materials, components or workmanship.

In the unlikely event that you should experience a confirmed warranty related problem with your purchase, HELLA will, at its discretion, either repair or replace the product or refund the purchase price.

Warranty services may be obtained by returning the product within the warranty period to the HELLA Dealer where the product was originally purchased. This warranty is in addition to and does not preclude any other rights or remedies available to the consumer under any local legislation related to the provision of goods or services.

Our goods come with guarantees that cannot be excluded under the Australian Consumer Law. You are entitled to a replacement or refund for a major failure and for compensation for any other reasonably foreseeable loss or damage. You are also entitled to have the goods repaired or replaced if the goods fail to be of acceptable quality and the failure does not amount to a major failure.

Lifetime means the economic life of the vehicle these products were first installed on.

This warranty does not cover:

- 1.) Claim/s as a result of normal wear and tear or of any modifications, alterations non-compliance of assembly, service and operating instructions and/or any unfit or improper use.
- 2.) Any expenses incurred in the process of making the claim.

Note: For lamps sold in Australia, warranty services are provided by Hella Australia Pty Ltd., 4 Hargrave Place, Mentone, Victoria, 3194 Australia.
Customer Service 1800 061 729 email: custservice@hella.com https://www.hella.com/hella-au/assets/media_global/IAM_Statement_of_Warranty.pdf

For general comments about HELLA's products please contact us on E-mail at: techfeedback@hella.co.nz